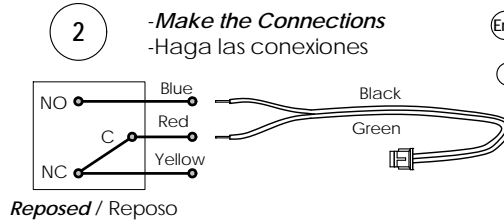
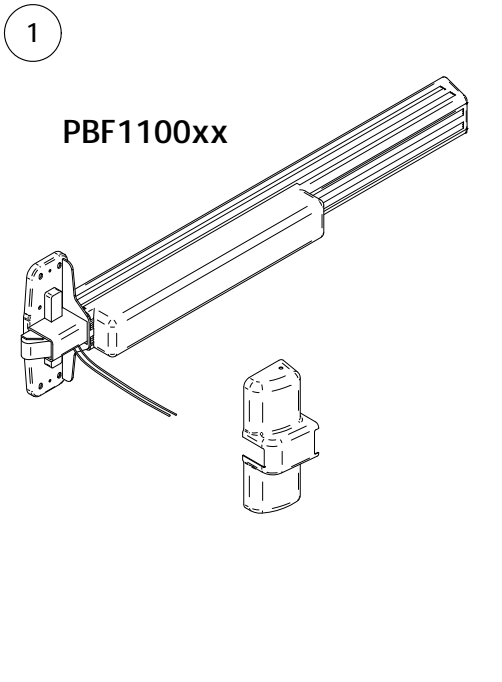
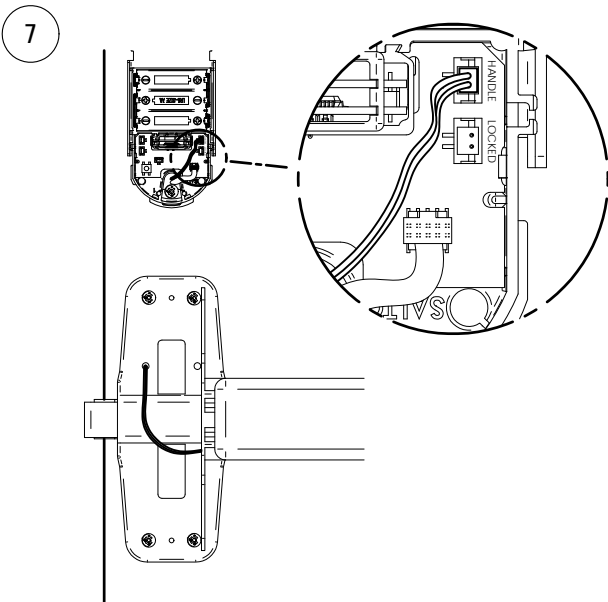
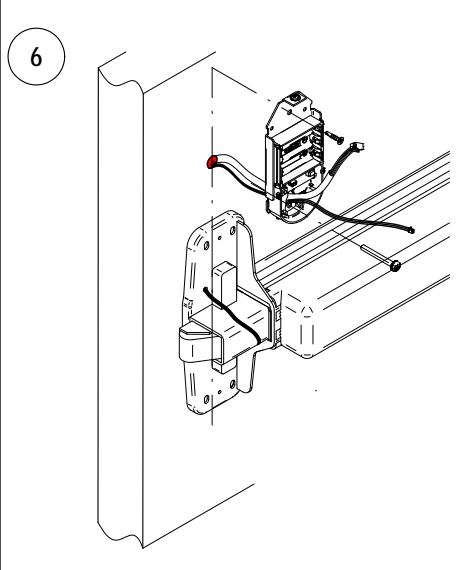
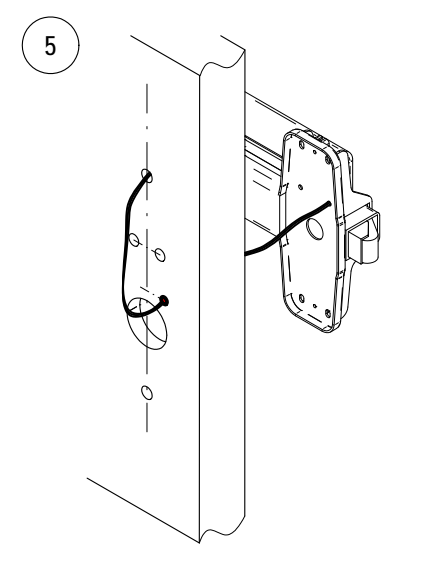
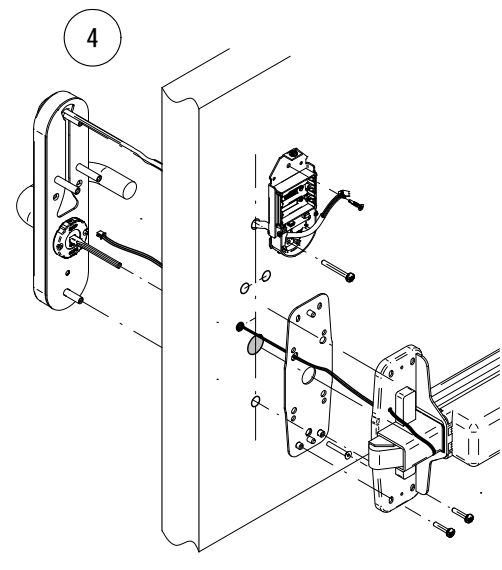
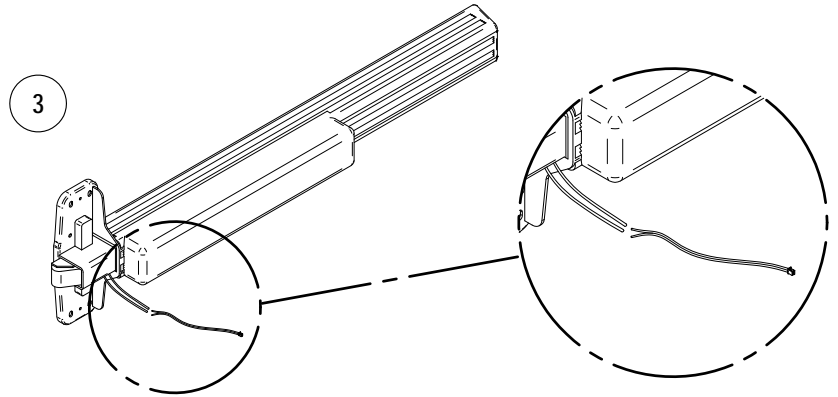


# PBF1100 Exit detection Switch Installation Guide

Guia de instalacion interruptor de salida PBF1100



(Eng) -Panic bar reposed=> circuit opened  
Panic bar pressed=> circuit closed  
(E) -Barra en reposo=> circuito abierto  
Barra presionada=> circuito cerrado



(Eng) PBF 1100 Door Preparation  
(E) Mecanizado de puerta PBF 1100

