

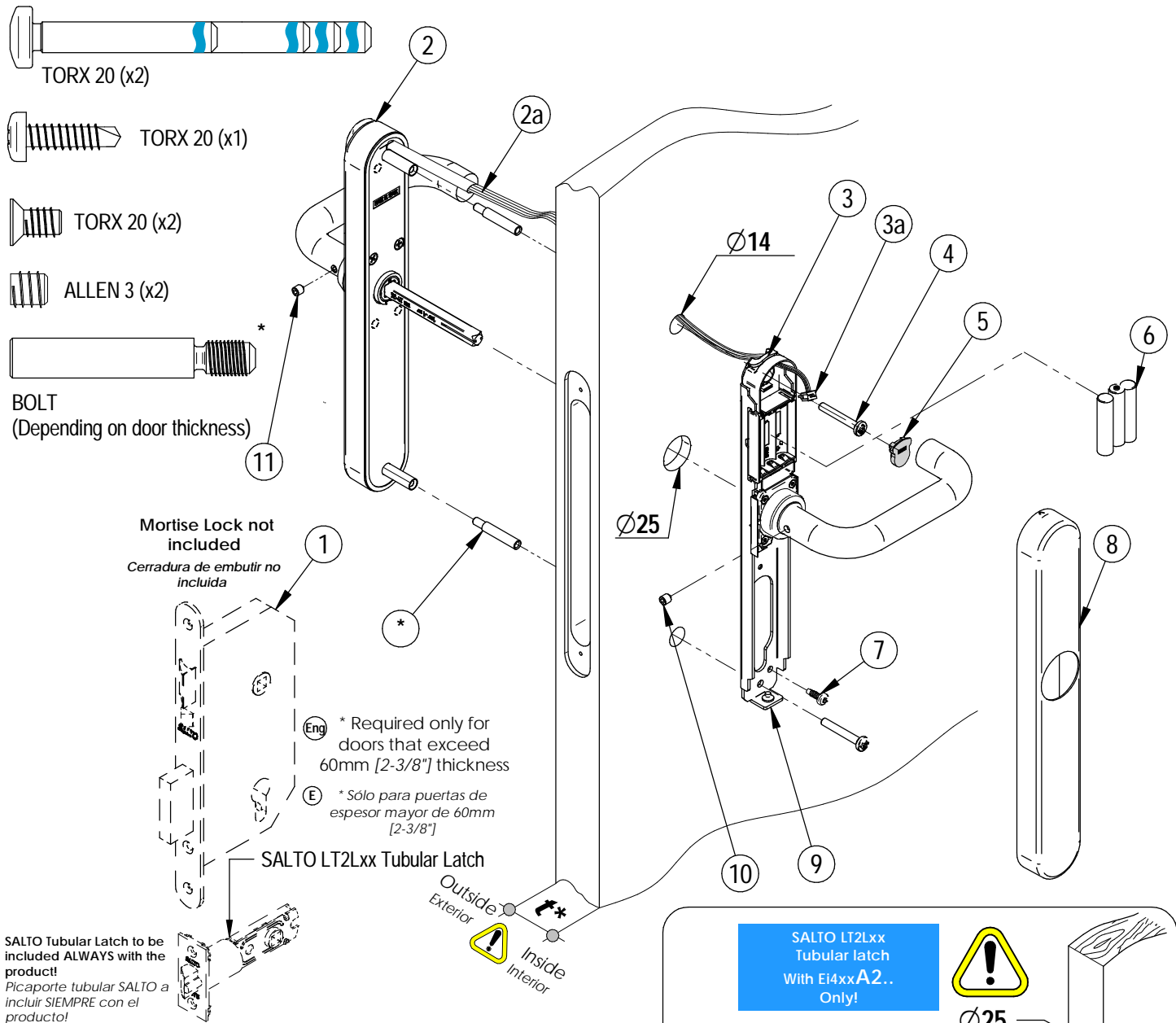
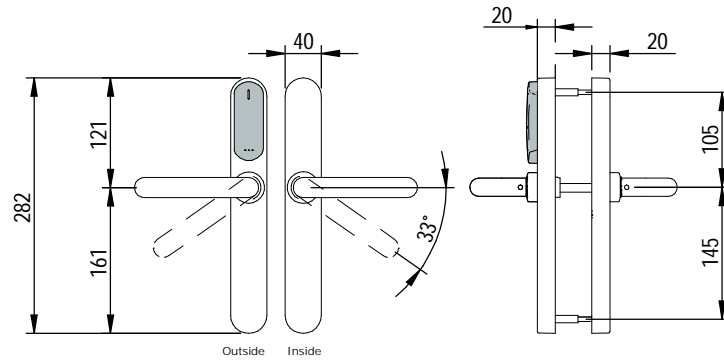
# Installation guide

XS4 Original+ for EURO mortise locks & tubular latches

**SALTO**  
inspired access

- Eng Installation guide
- E Guía de instalación
- D Montageanleitung
- F Guide d'installation
- I Guida all'installazione
- P Guia de instalação

E i 450 xx series



SALTO Tubular Latch to be included ALWAYS with the product!  
Picaporte tubular SALTO a incluir SIEMPRE con el producto!

Mortise Lock not included  
Cerradura de embutir no incluida

\* Required only for doors that exceed 60mm [2-3/8"] thickness  
\* Sólo para puertas de espesor mayor de 60mm [2-3/8"]

SALTO LT2Lxx Tubular Latch

Outside Exterior  
Inside Interior

SALTO LT2Lxx Tubular latch  
With E14xxA2... Only!

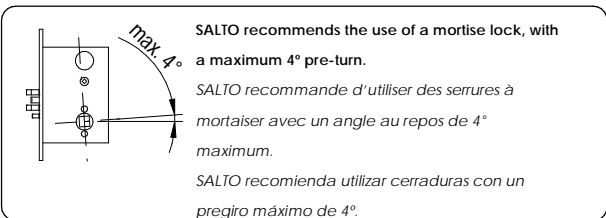
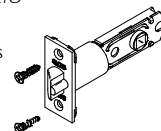


Ø25  
Ø1"

To be used only with SALTO compatible escutcheons!

A utiliser uniquement avec les ensembles plaques-béquilles SALTO compatibles!

¡Utilizar solamente con escudos SALTO compatibles!

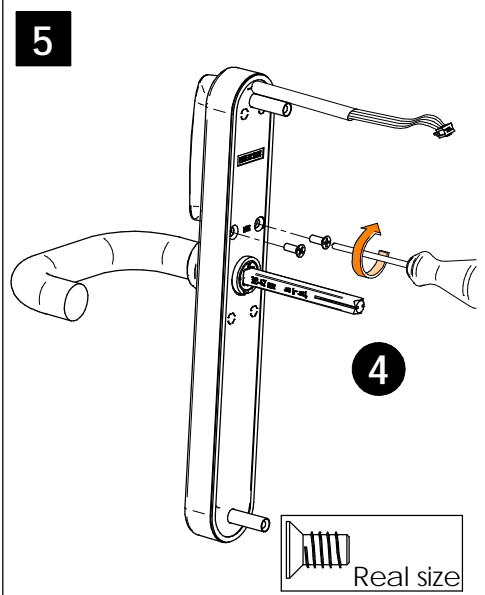
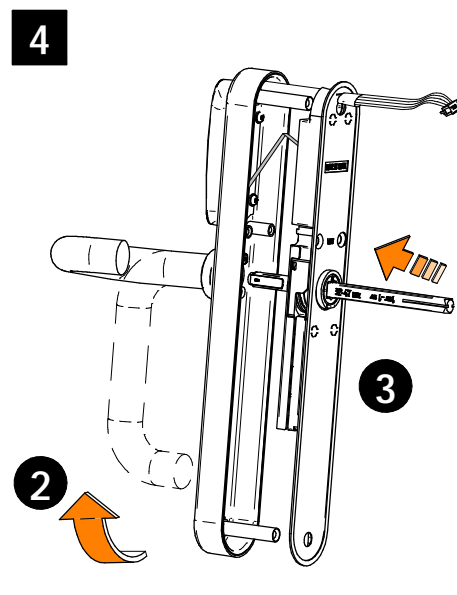
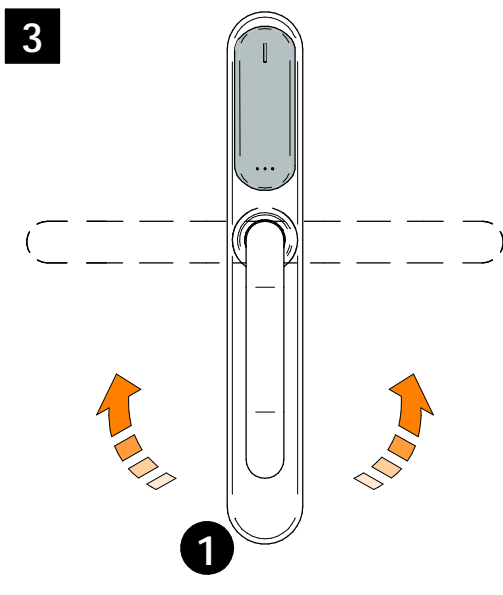
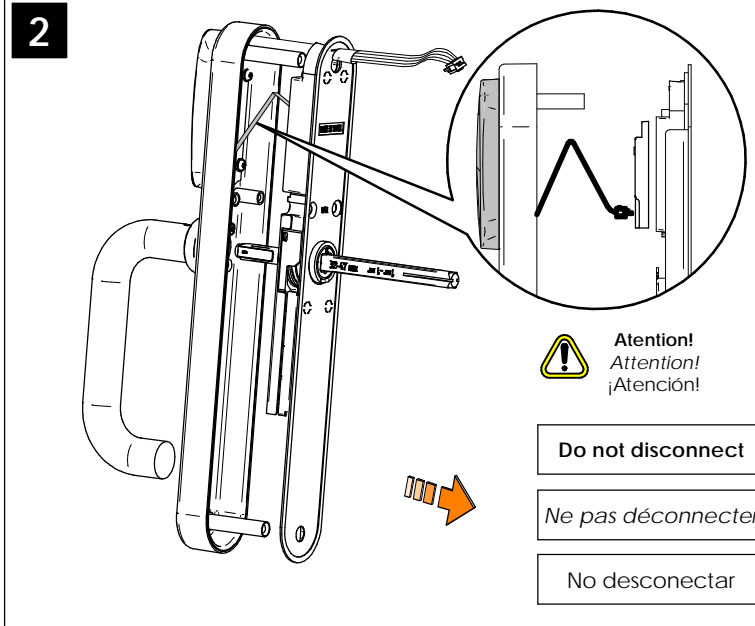
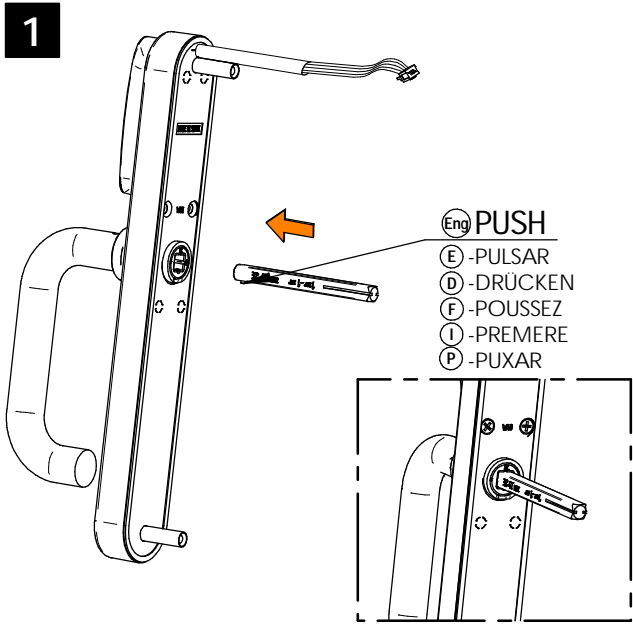


# Installation guide

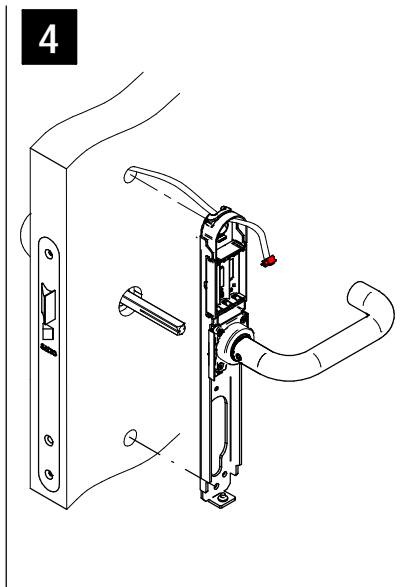
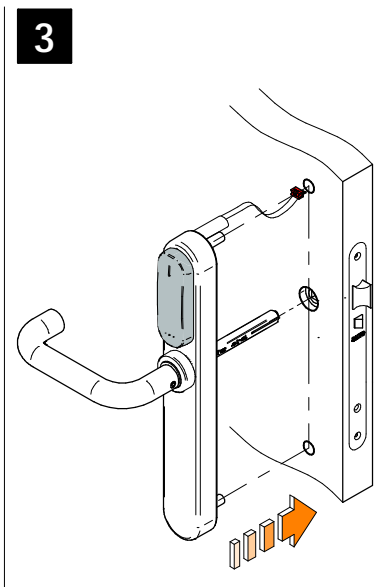
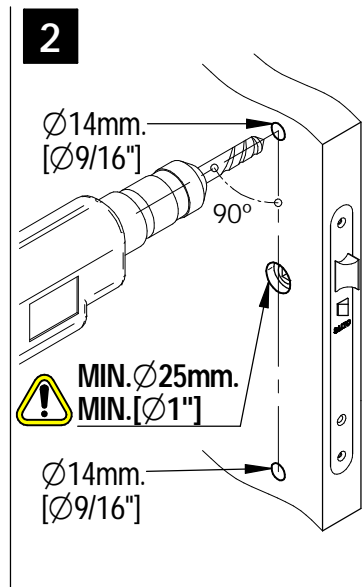
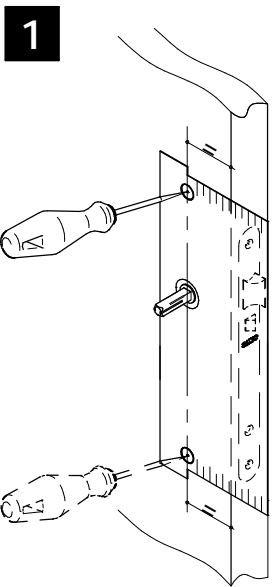
XS4 Original+ for EURO mortise locks & tubular latches

**SALTO**  
inspired access

Eng Select handing (F) Choisir le sens de la bèveille (E) Seleccione mano



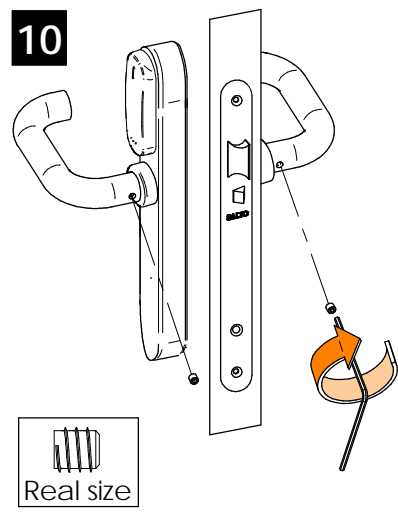
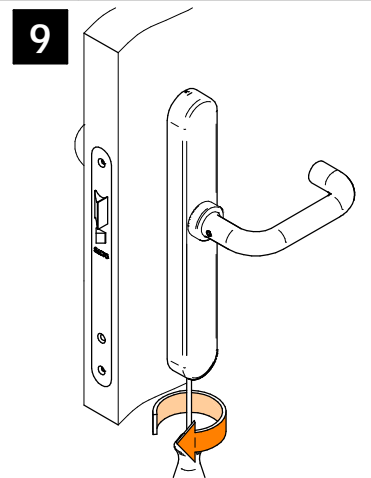
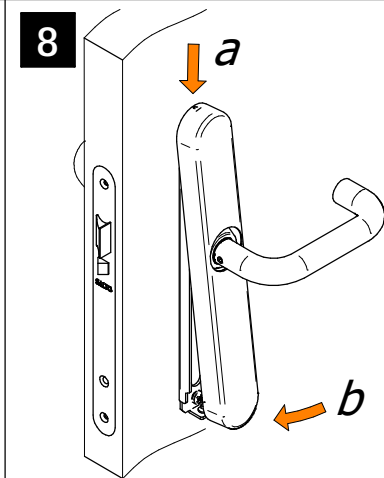
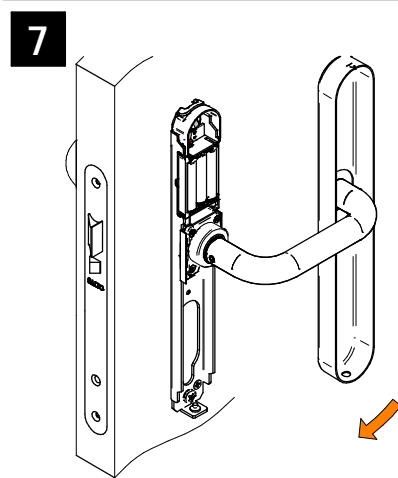
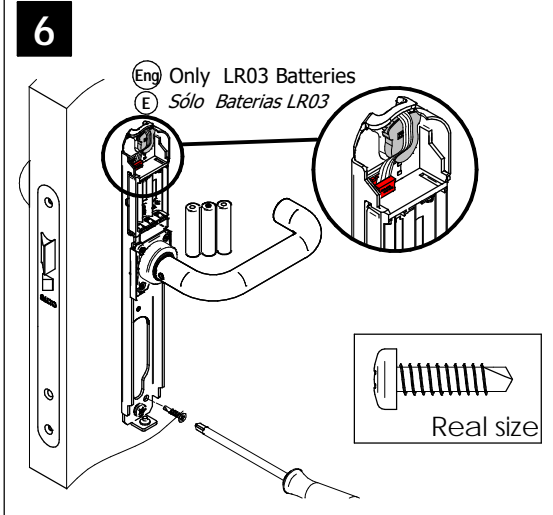
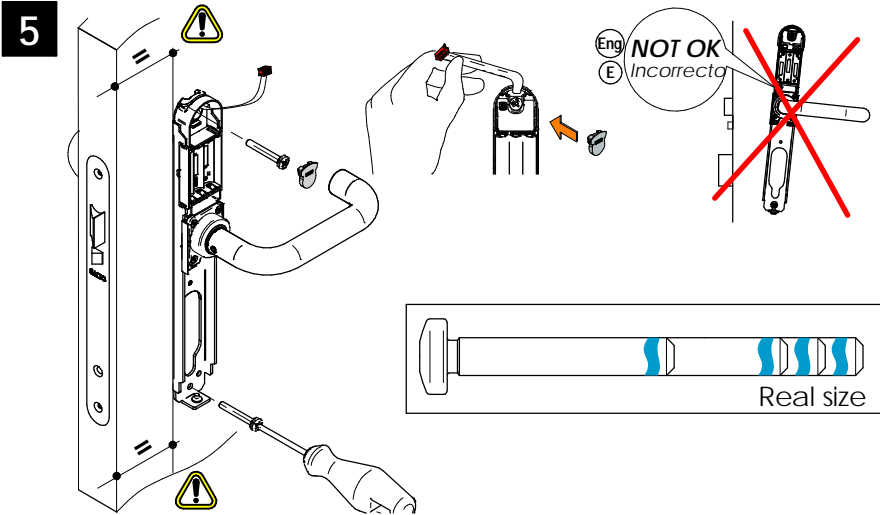
Eng Installation (F) Installation (E) Instalación



# Installation guide

XS4 Original+ for EURO mortise locks & tubular latches

**SALTO**  
inspired access



AT THIS POINT DO NOT  
CLOSE THE DOOR  
PROGRAM THE LOCK FIRST

NO CIERRE LA PUERTA.  
PROGRAMME LA CERRADURA

TÜRE NICHT SCHLIESSEN.  
ZUERST SCHLOSS  
PROGRAMMIEREN

NE FERMEZ PAS LA PORTE.  
PROGRAMMEZ LA BÉQUILLE  
AVANT

PRIMA DI CHIUDERE LA  
PORTA, PROGRAMARE LA  
SERRATURA

NESTE PONTO NÃO FECHER  
A PORTA. PROGRAME O  
ESCUDO PRIMEIRO

Eng Battery change  
F Remplacer les piles  
E Cambio de pilas

**LR03**

MAX. 40"

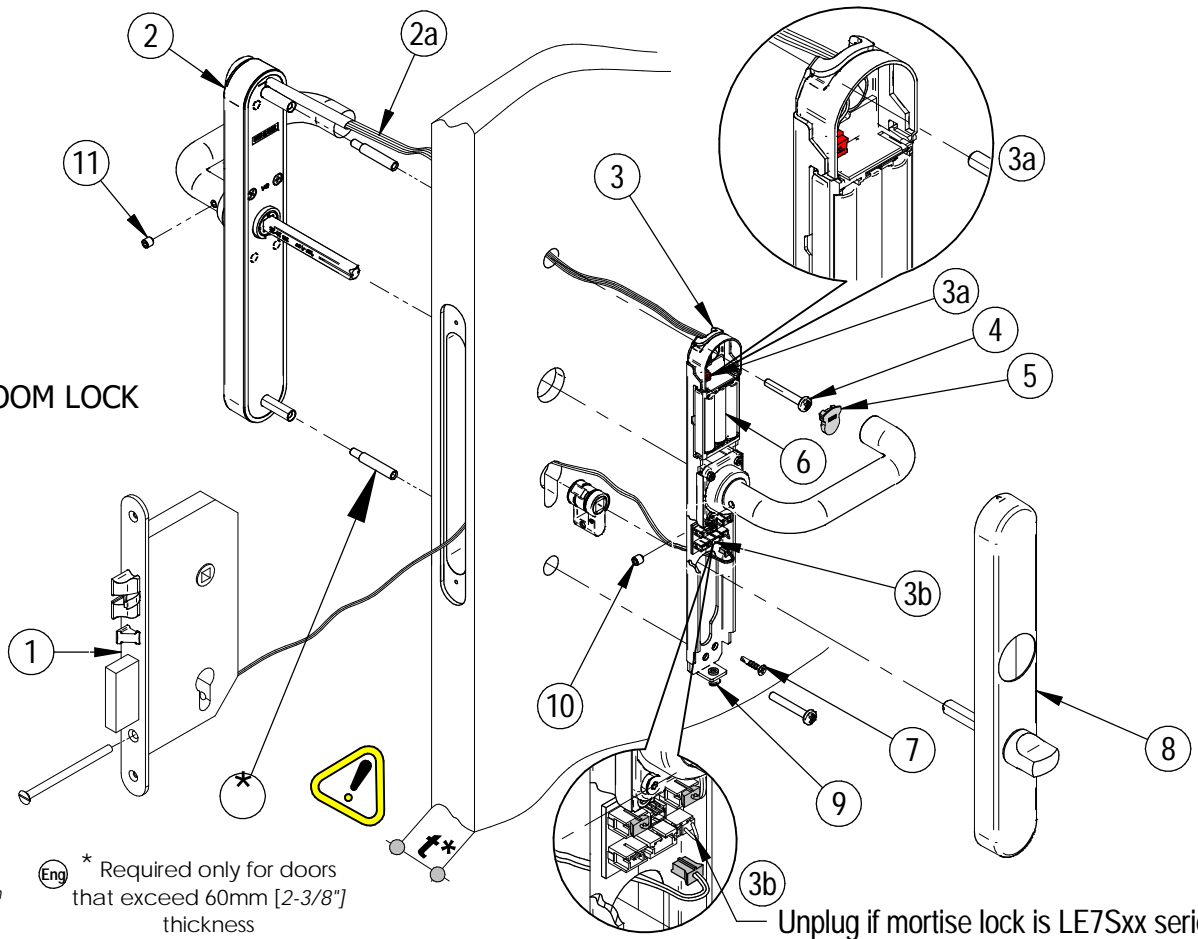
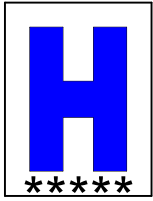
Change/Remplacer/Cambio

# Installation guide

XS4 Original+ for EURO mortise locks & tubular latches

**SALTO**  
inspired access

Ei451 xx  
Ei461 xx



Eng HOTEL GUEST ROOM LOCK

- E HABITACION HOTEL
- D HOTELZIMMERSCHLOSS
- F PIÈCE D' HÔTEL
- I CAMERE HOTEL
- P QUARTO DE HOTEL

E \* Sólo para puertas de espesor mayor de 60mm [2-3/8"]

Eng \* Required only for doors that exceed 60mm [2-3/8"] thickness

Unplug if mortise lock is LE7Sxx series