

## DATASHEET

### XS4 ORIGINAL+ by SALTO

The XS4 Original+ product is a universal state of the art electronic escutcheon that brings the smart lock to a new technology level, combining the latest innovations in security, connectivity and design into a battery operated access control device.

[www.saltosystems.com](http://www.saltosystems.com)

#### TECHNICAL SPECIFICATIONS:

#### XS4 ORIGINAL+ EM4xx

**SALTO**  
inspired access



**TECHNICAL DATA:**

Reader dimensions (H x W x D):	282,0 x 40,0 x 20,0 mm
Weight	1,5 kg
Handle rotation:	33°
Door thicknesses:	32 mm - 120 mm
Distance from the handle to the cylinder	47 - 110 mm
Square spindles:	7mm, 7.6mm split, 8mm, 8mm split, 9mm, 9mm split.
Power source:	3 LR03 batteries (AAA size) (optional lithium FR03)
Number of openings:	40,000 - 60,000 (to be confirmed)
Maximum events on lock audit	2 000 (SVN standalone mode) 1 625 (SVN BLUEnet mode) 1 280 (SALTO KS mode)
Environmental conditions Outdoor:	-35 °C / +60 °C without condensation
Environmental conditions Indoor:	-5 °C / +50 °C without condensation (optional -35°C / +60°C)
IP class:	IP53 (optional E5 - IP pending)
Certifications:	CE, FCC/IC, RCM, EN 179, EN 1634-1 (Ei30, Ei60), SKG*, PAS24*

\* Pending

**CREDENTIAL TECHNOLOGIES:**

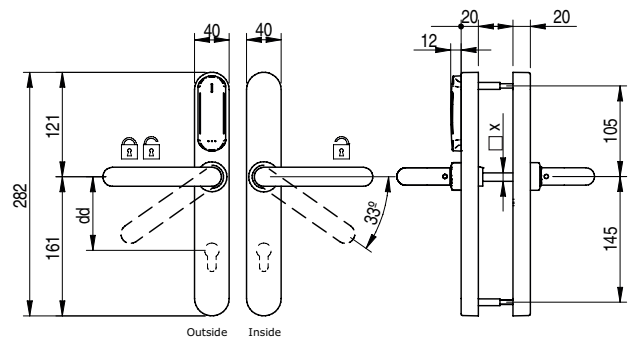
SALTO JustIN Mobile Credentials <sup>1</sup> :	•
NXP MIFARE <sup>2</sup> :	•
HID <sup>3</sup> :	—
LEGIC <sup>4</sup> :	—

<sup>1</sup> Mobile Key Bluetooth and Near Field Communication (NFC) capability.  
<sup>2</sup> MIFARE® DESFire® EV1/EV2/ EV3, MIFARE® Plus, MIFARE® Ultralight C, MIFARE® Classic.  
<sup>3</sup> iCLASS®, Seos®.  
<sup>4</sup> Legic Prime, Legic Advant.

**CORE TECHNOLOGIES:**

SALTO Native Bluetooth LE wireless connectivity:	•
Hardware Secure Element:	•

**TECHNICAL DRAWING:**



**PLATFORMS:**

**SALTO Space:**

ROM	—
SVN data-on-card	•
Wireless (SALTO RFnet)	—
Wireless (SALTO BLUEnet)	•
SVN-Flex	•

**SALTO KS:**

Wireless (SALTO RFnet):	—
Wireless (SALTO BLUEnet):	•

**OPTIONS:**

**Reader finish:**

Black:	•
White:	•

**Finish:**

IM Satin stainless steel:	•
IP Bright stainless steel:	•
PP PVD bright brass type:	•
PM PVD satin brass type:	•
NE Black chromium:	•
DB Dark Bronze:	•
BC BioCote anti-microbial:	•

**Handles**

Compatible handles*	U, L, W, H, S, B, P, J, T, Y, Z, O, N, G, K, I, 2, 3, 4, 7, 5
High Transit:	• (optional)

\* Not all the handles are available in all finishes.

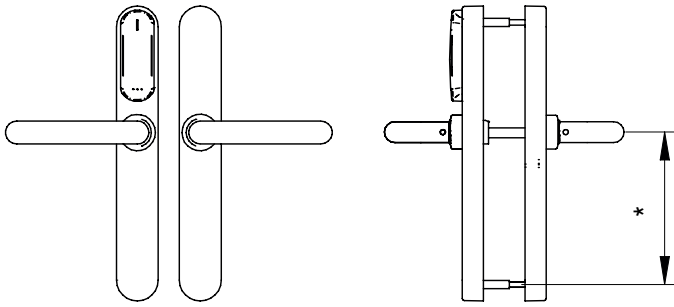
**Locks:**

Euro-DIN:	•
ANSI:	—
Scandinavian:	—
Cylindrical:	—
Tubular:	• (Only SALTO LT2L)

**MODELS:**

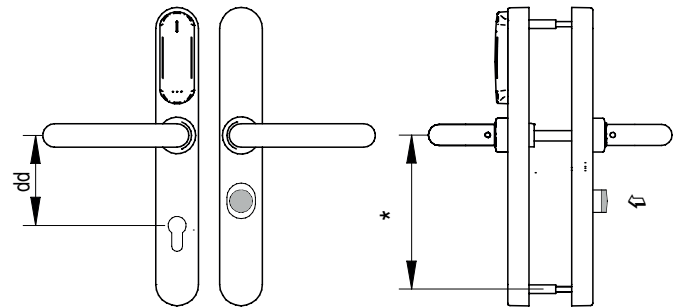
**MODEL 50:**

- 2 handles any type.



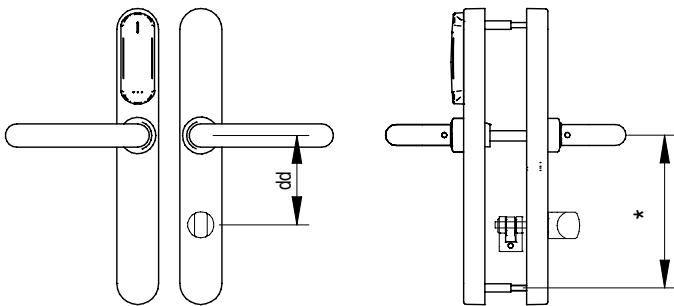
**MODEL 57:**

- 2 handles any type.
- Outside cylinder cut out.
- Electronic “do not disturb” system (Not available in self-programmable).



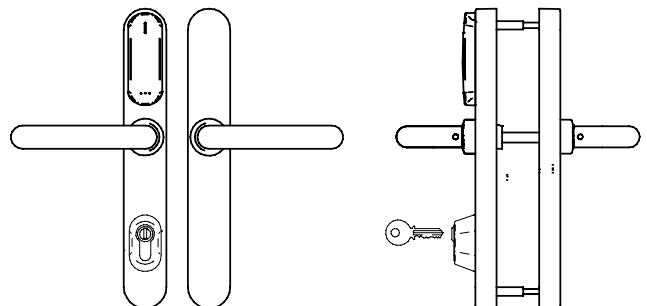
**MODEL 51:**

- 2 handles any type.
- Inside thumbturn.



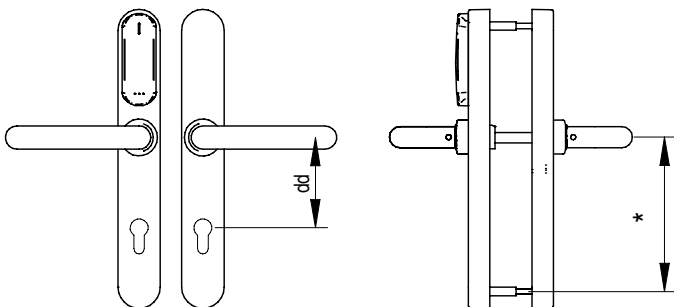
**MODEL P0:**

- 2 handles any type.
- Built in mechanical override with audit.  
(Ex4P0 reference: Euro profile cylinder 30-10).



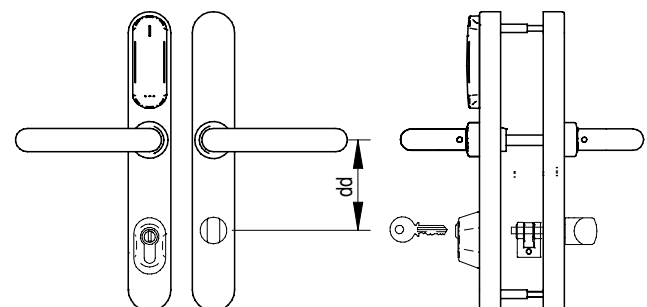
**MODEL 52/53/54:**

- 2 handles any type.
- Inside (models 52 / 53) / (models 54) Outside cylinder cut out.



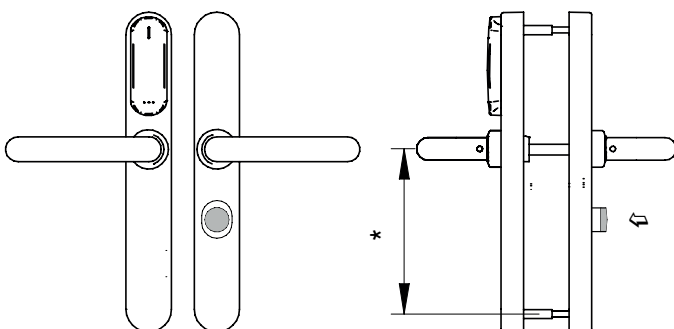
**MODEL P1:**

- 2 handles any type.
- Inside thumbturn.
- Built in mechanical override with audit.  
(Ex4P1 reference: Euro profile cylinder 30-10).



**MODEL 56:**

- 2 handles any type.
- Electronic “do not disturb” system (Not available in selfprogrammable).



**MODEL P6:**

- 2 handles any type.
- Electronic “do not disturb” system
- Built in mechanical override with audit.  
(Ex4P6 reference: Euro profile cylinder 30-10).

