

## DATASHEET

### XS4 One DL by SALTO

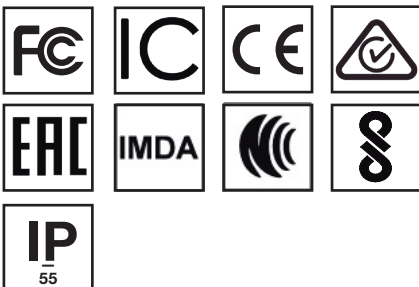
The SALTO XS4 One Deadlatch escutcheon is a revolutionary stand-alone electronic lock specially designed to offer a flexible traffic control during and after business hours.

The last level of technology is packed in an easy installation product that offers a complete access control solution.

[www.saltosystems.com](http://www.saltosystems.com)

#### TECHNICAL SPECIFICATIONS: XS4 ONE Ex7xxDLxx

**SALTO**  
inspired access



**TECHNICAL DATA:**

Housing dimensions (H x W x D):	11-1/4" x 3-3/4" x 57/64" 286,0 x 95,0 x 22,5 mm
Weight:	2 kg
Handle rotation:	Max. 45°
Door thicknesses:	44,5 mm - 82,5 mm
Power source:	3 AAA batteries (LR03 1,5V)
Number of openings	40.000 - 60.000 depending on the technology
Maximum events on lock audit	2 250 (SVN standalone mode) 1 850 (SVN BLUEnet mode) 1 450 (SALTO KS mode)
Environmental conditions Outdoor	+5 °C / +50 °C without condensation, optional -20 °C / +50 °C
Environmental conditions Indoor	+5 °C / +50 °C. without condensation.
IP class:	IP55
Certifications:	FCC, IC, CE, EAC, ACMA, IMDA, NCC, BIS

**ID TECHNOLOGIES:**

MIFARE:*	•
Bluetooth Smart:	•
NFC:	•
Legic:**	—
HID iClass® Seos™:	•
Picopass:	—

\* MIFARE® (DESFire EV2, Classic, Plus, Ultralight C).

\*\* Legic Prime and Legic Advant

**TECHNOLOGY PLATFORMS:****SALTO SPACE:**

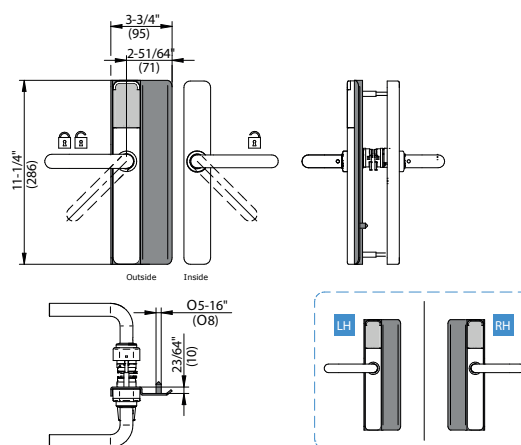
Smile - Selfprogrammable	—
ROM	•
SVN data-on-card	•
Wireless (SALTO RFnet)	—
Wireless (SALTO BLUEnet)	•

**SALTO KS:**

SALTO KS:	•
-----------	---

**SALTO SALLIS:**

SALLIS:	—
---------	---

**TECHNICAL DRAWING:****OPENING MODES:**

Standard:	•
Office mode:	•
Timed office:	•
Automatic opening:	•
Automatic opening + office	•
Toggle:	•
Timed Toggle:	•
Amok mode:	—
Exit leaves open mode:	•
Pin code / Keypad:	—

**OPTIONS:****Reader colour:**

Black:	•
White:	•

**Escutcheon finish:**

IM Satin stainless steel:	•
NE Black chromium:	•
BC BioCote anti-microbial:	•
DB Dark Bronze	•

**Latch guard finish:**

IM Satin stainless steel:	•
NE Black chromium:	•
BC BioCote anti-microbial:	•

**Handles**

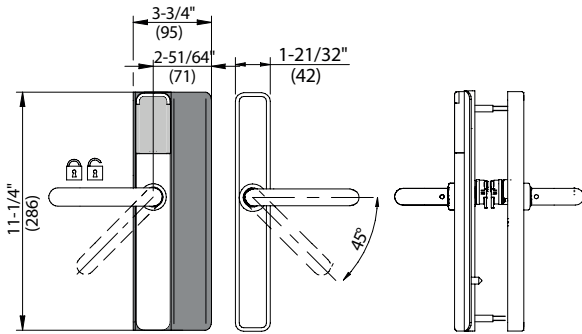
Compatible handles*	U, L, W, H, S, B, P, J, T, Y, Z, O, N, G, K, 2, 3, 4, 7, 5
---------------------	---

\* Not all the handles are available in all finishes.

**MODELS:**

**Ex750xDL:**

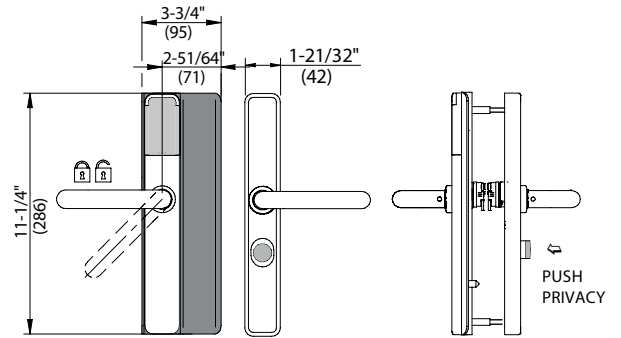
2 handles any type.



**Ex756xDL:**

2 handles any type.

Electronic "do not disturb" system.



**Ex75DxDL:**

1 handle any type.

1 paddle (not included).

