

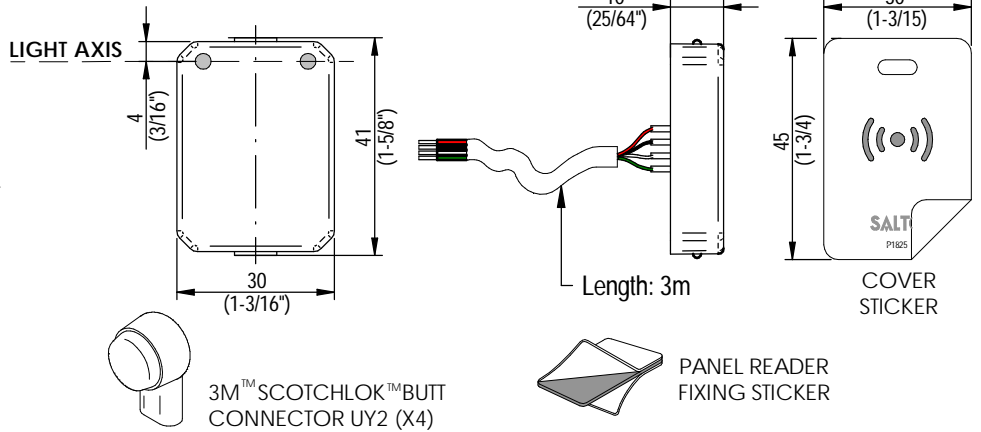
Installation guide

Panel reader

SALTO
inspired access

- Eng Installation guide
- D Installationsanleitung
- E Guía de instalación
- F Guide d'installation

The SALTO panel reader is designed to be integrated behind lift panels, door intercoms, electric switches or turnstiles and gates. It can be installed behind metal plates but needs a window which is necessary for the reader antenna operation. It works in conjunction with SALTO controllers



Eng Installation D Installation E Instalación F Installation

1

2-a

2-b

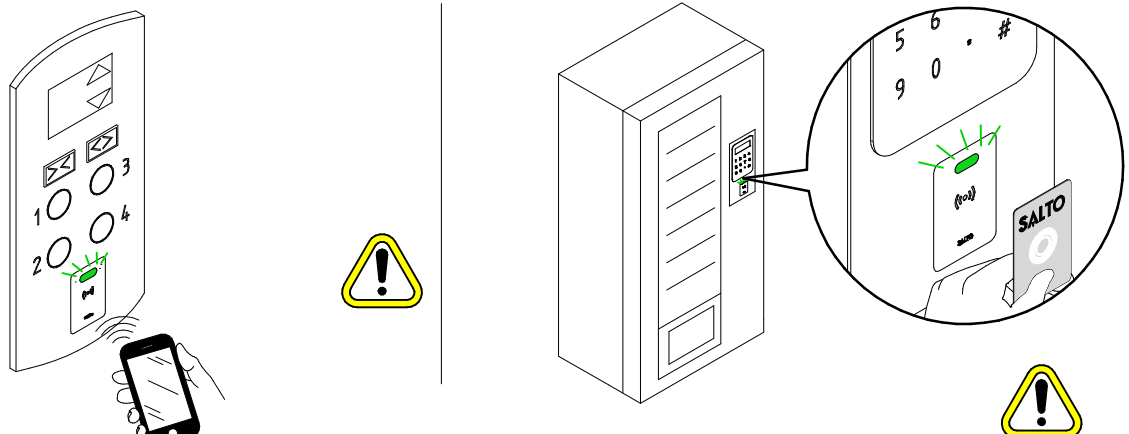
3

4

5

6

Eng Application D Anwendung E Aplicación F Application



European view

All contents current at time of publication. SALTO Systems S.L. reserves the right to change availability of any item in this catalog, its design, construction, and/or materials.

XS4 Reader

© 2021 SALTO Systems S.L.

1/4

225648 -ED1 -04/02/2021

Eng Electrical characteristics:

Operation conditions

	Min.	Max.	Unit
Temperature WRDPOB	-30	70	°C
Temperature WRDPOJ	-25	70	°C
Humidity	35	85	%

RF characteristics

	Min	Gen.	Max.	Unit
RFID frequency		13.56		Mhz
Bluetooth Smart frequency	2.4	2.445	2.4835	Ghz

Cable type and max. distances

Cable type	Reader
UTP Cat5e 2 pairs AWG24	279ft 85m
UTP Cat5e 4 pairs AWG24 + SP224861/SP224895 Note2	853ft 260m
Twisted pairs AWG18	1312ft 400m

Note: UL tested at 100m at 24 AWG.

Power Consumption Note1

	Min	Max	Unit
Reader		150	mA

Note 1: Installer must take this data into account to dimension the CU42xx power supply. Panel Reader only for use with the SALTO Control Units.

Note 2: Not use with Scotchlock butt connector UY2.

SALTO recommends to use one cable per wall reader.

D Elektronische Eigenschaften:

Umgebungsbedingungen

	Min.	Max.	Einheit
Temperatur WRDPOB	-30	70	°C
Temperatur WRDPOJ	-25	70	°C
Feuchtigkeit	35	85	%

RF Frequenzen

	Min	Gen.	Max.	Einheit
RFID frequenz		13.56		Mhz
Bluetooth Smart frequenz	2.4	2.445	2.4835	Ghz

Verkabelung und max. entfernungen

Kabeltyp	Leser
UTP Cat5e 2 pairs AWG24	279ft 85m
UTP Cat5e 4 pairs AWG24 + SP224861/SP224895 Note2	853ft 260m
Twisted pairs AWG18	1312ft 400m

Stromaufnahme Note1

	Min	Max	Einheit
Reader		150	mA

Note1: Bitte beachten Sie die Stromaufnahme bei der Planung des Netzteils für die CU42xx.

Note2: Nicht verwenden mit den Scotchlok Einzeladerverbinder UY2.

SALTO empfiehlt die Verwendung einer separaten Leitung je Wandleser.

E Características eléctricas:

Condiciones ambientales

	Min.	Max.	Unidad
Temperatura WRDPOB	-30	70	°C
Temperatura WRDPOJ	-25	70	°C
Humedad	35	85	%

RF characteristics

	Min	Gen.	Max.	Unidad
Frecuencia RFID		13.56		Mhz
Frecuencia Bluetooth Smart	2.4	2.445	2.4835	Ghz

Tipo de cable y distancias max.

Cable type	Lector
UTP Cat5e 2 pairs AWG24	279ft 85m
UTP Cat5e 4 pairs AWG24 + SP224861/SP224895 Note2	853ft 260m
Twisted pairs AWG18	1312ft 400m

Consumo Nota1

	Min	Max	Unidad
Lector		150	mA

Nota1:El instalador ha de tener en cuenta la dimensión del alimentador de la CU42xx.

Nota2:No usar el conector Scotchlock butt UY2 con este tipo de cable.

SALTO recomienda utilizar un cable por cada lector mural.

F Caractéristique électronique:

Condition de fonctionnement

	Min.	Max.	Unit
Température WRDPOB	-30	70	°C
Température WRDPOJ	-25	70	°C
Humidité	35	85	%

RF characteristics

	Min	Gen.	Max.	Unit
Fréquence RFID		13.56		Mhz
Fréquence Bluetooth Smart	2.4	2.445	2.4835	Ghz

Type de câble

Type de câble	Lecteur
UTP Cat5e 2 pairs AWG24	213ft 65m
UTP Cat5e 4 pairs AWG24 + SP224861/SP224895 Note2	656ft 200m
Twisted pairs AWG18	984ft 300m

Consommation Note1

	Min	Max	Unité
Reader		150	mA

Note1:L'installateur doit calculer l'alimentation nécessaire pour alimenter la CU42xx.

Note2: Ne pas utiliser le connecteur Scotchlok UY2 avec ce type de câble.

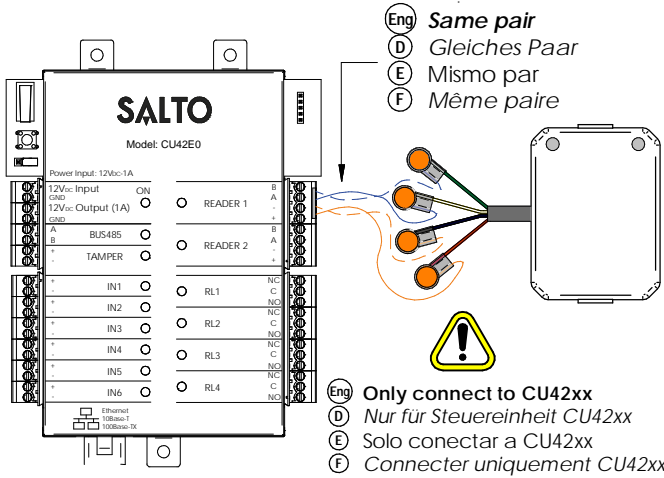
SALTO recommande d'utiliser un câble pour chaque lecteur mural.

Installation guide

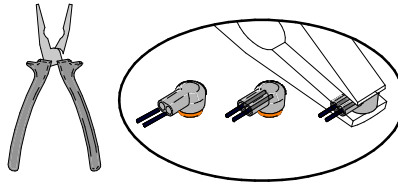
Panel reader

Eng Installation example D Installationsbeispiel E Ejemplo de instalación F Exemple d'installation

- Eng Only connect to CU42xx
- D Nur für Steuereinheit CU42xx
- E Solo conectar a CU42xx
- F Connecter uniquement CU42xx



- Eng Same pair
- D Gleiches Paar
- E Mismo par
- F Mème paire

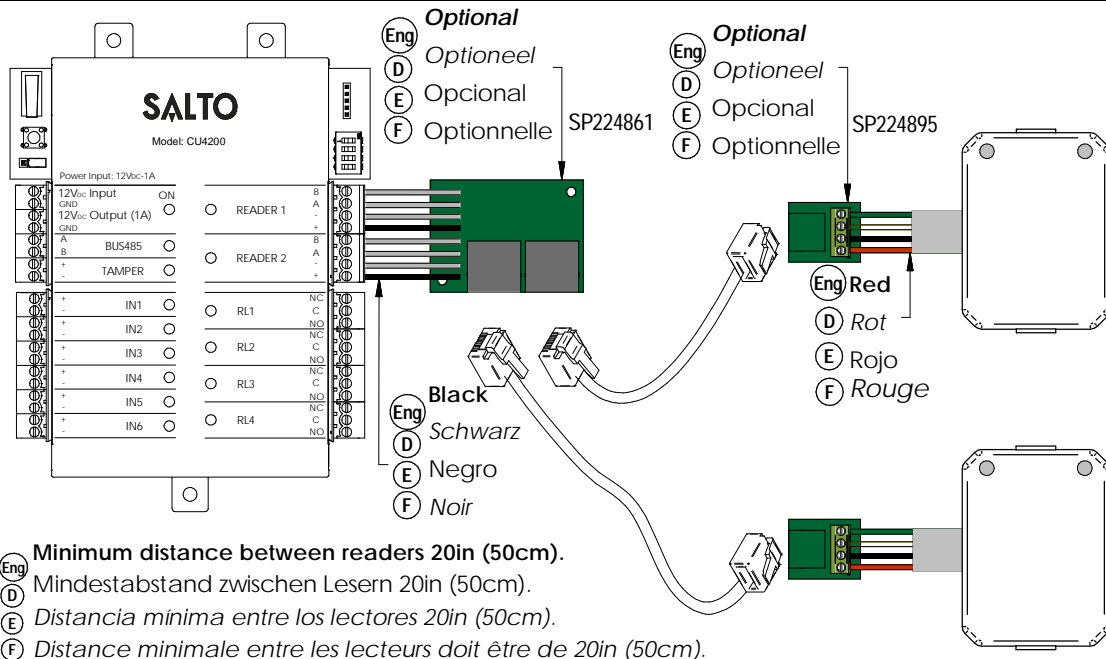


	Eng	D	E	F
B	Green	Grün	Verde	Vert
A	White	Weiß	Blanco	Blanc
↓	Black	Schwarz	Negro	Noir
+V	Red	Rot	Rojo	Rouge

- Eng 3M™ Scotchlok™ butt connector UY2. Crimp with cap side down.
- D 3M™ Scotchlok™ butt Einzeladerverbinder UY2. Mit der Kappe nach unten zusammendrücken.
- E Conector 3M™ Scotchlok™ butt UY2. Crimpar con la tapa hacia abajo.
- F Connecteur 3M™ Scotchlok™ butt UY2. Crêper avec le capuchon vers le bas.

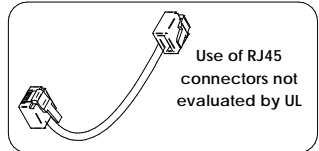
- Eng Only connect to CU42xx
- D Nur für Steuereinheit CU42xx
- E Solo conectar a CU42xx
- F Connecter uniquement CU42xx

Eng Installation example with RJ45 D Installationsbeispiel für RJ45 E Ejemplo de instalación RJ45 F Exemple d'installation avec RJ45



- Eng Optional
- D Optioneel
- E Opcional
- F Optionnelle

- Eng Optional
- D Optioneel
- E Opcional
- F Optionnelle



- Eng Black
- D Schwarz
- E Negro
- F Noir

- Eng Red
- D Rot
- E Rojo
- F Rouge

- Eng Minimum distance between readers 20in (50cm).
- D Mindestabstand zwischen Lesern 20in (50cm).
- E Distancia mínima entre los lectores 20in (50cm).
- F Distance minimale entre les lecteurs doit être de 20in (50cm).

UL Statements

Tested by UL with Mifare (DESFIRE, ULTRALIGHT C) and HID iCLASS RFID communication, and with Mobile APP (JustIN Mobile version 2.x) through Bluetooth version 4.2. Minimum Operating System version for Android: 4.3 or later and for iOS: 10.0 or later. A means of verification shall be employed by the user to enable access to the wireless electronic device such as a PIN or biometric feature. The wireless electronic device is not capable of command, control, programming, or any other system manipulation and it is only to be used in the same manner as a physical credential

Wiring methods that shall be in accordance with the National Electrical Code, ANSI/NFPA 70 or CSA C22.1-02 - *Canadian Electrical Code, Part 1, Safety Standard for Electrical Installations*

- UL294 performance level:

FEATURE	LEVEL
Destructive attack	I
Line Security	I
Endurance	IV
Standby power	I

- Comply with ULC-S319 Class I *

This device complies with Industry Canada license-exempt RSS standard(s). Operation is subject to the following two conditions: (1) this device may not cause harmful interference, and (2) this device must accept any interference received, including interference that may cause undesired operation. Changes or modifications not expressly approved by the party responsible for compliance could void the user's authority to operate the equipment.

Le présent appareil est conforme aux CNR d'Industrie Canada applicables aux appareils radio exempts de licence. L'exploitation est autorisée aux deux conditions suivantes: (1) l'appareil ne doit pas produire de brouillage, et (2) l'utilisateur de l'appareil doit accepter tout brouillage radioélectrique subi, même si le brouillage est susceptible d'en compromettre le fonctionnement.

This device has been tested and found to comply with the limits for a Class B digital device, pursuant to ICES-003.

* Note: shielded wire shall be used.

** Note: WRDxPxxY model, not UL listed.

EN 50131-3:2009 & EN 60839-11-1:2013 Statements

Certification issued by ALTER TECHNOLOGY TÜV NORD S.A.U. for the models: WRDB0P40 and WRDJ0P40. Stationary ACE, Type A (potted reader).

Performance level:

- Security Grade 2 (EN 50131-3:2009), Class IV
- Grade 2 (EN60839-11-1:2013), Class IV
- IP66 & IK04